

P3F Fresnel Light (Clamp)

90W LED/ 15°- 45°



- Cine-Grade Light Quality
- Point-Source LED
- DMX Controllable
- 90W Power Draw
- Compact (< 8" of Vertical Space)

ORDERING GUIDE

FLXP3F - - - **CLP** - **PSV** -

Mode

CLR	All Modes
EZ	All EZ Modes
RGB	RGB Mode Only
CCT	Tunable CCT Mode Only
3200	Fixed 3200K
5600	Fixed 5600K

Finish

WH	White
BK	Black

Mount

CLP	Clamp Mount
------------	-------------

Power Supply & Control

PSV	Power Supply
------------	--------------

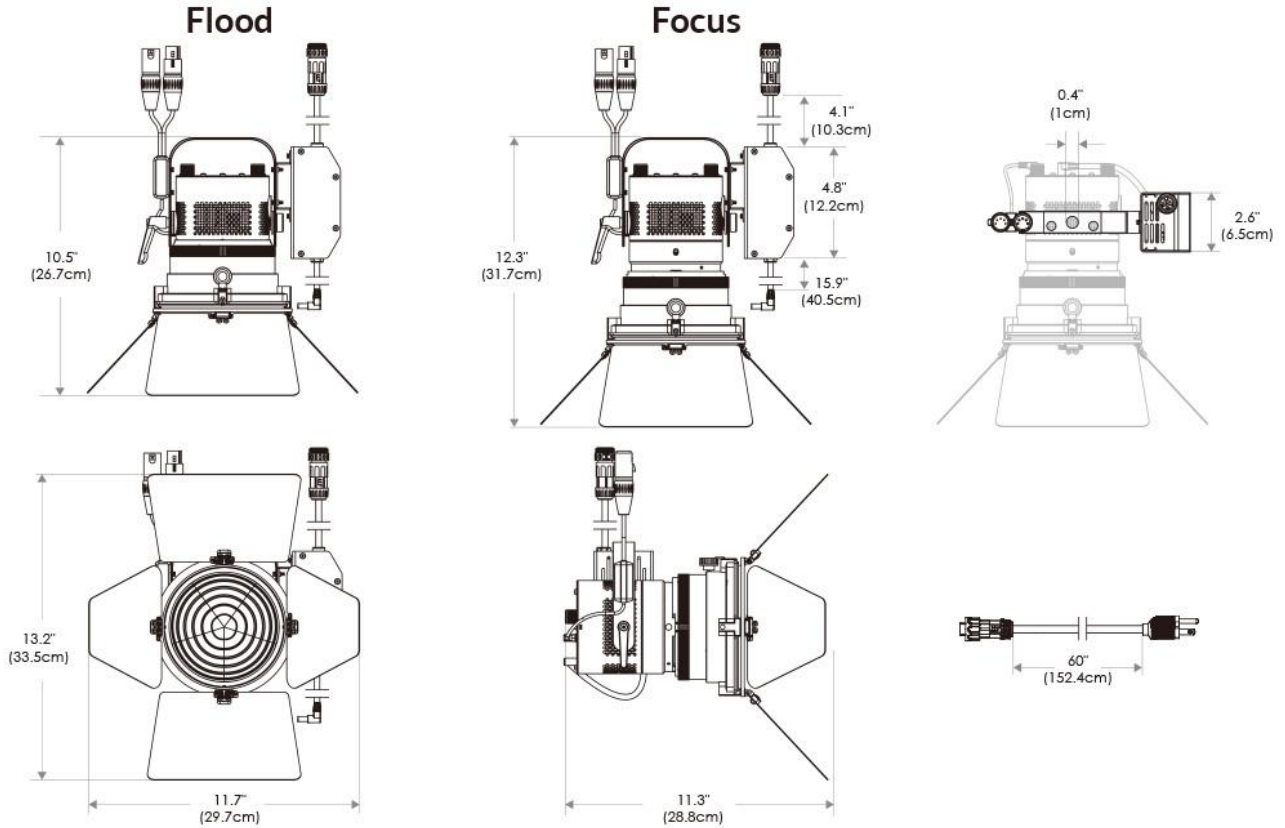
Plug/Connection

US	US 120V
EU	EU 220V

SPECIFICATIONS

Beam Angle	15°- 45°
CRI / TLCI	95/90 typical (in CCT Mode of 2800K-6500K)
Dimming	100% - 0% flicker free
AC Power Draw	90W max
AC Input	100 - 240V AC, 50 - 60Hz
Remote Control	DMX 512
Cooling	Fan Cooled
Acoustic Noise	19 dBA (Auto Mode)
Operating Temp.	32 - 104°F (0 - 40°C)
Weight (Fixture + Power Supply)	4.4lb / 2.0kg

MECHANICAL FIGURES

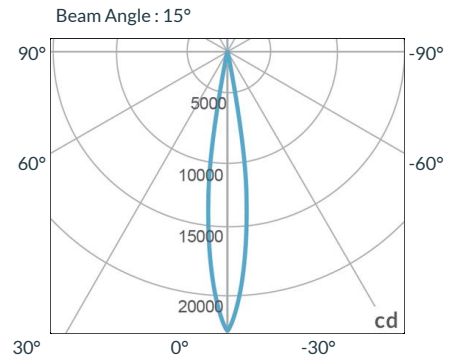


PHOTOMETRIC DATA

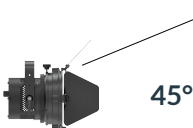
Focus



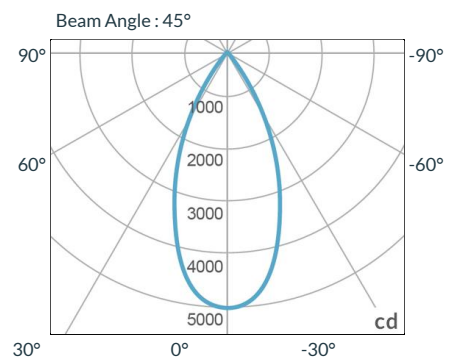
Distance		3' (~0.9 m)	10' (~3.0 m)	15' (~4.6 m)
@3200K	fc	2604	241	117
	lux	28027	2591	1257
@5600K	fc	2690	249	121
	lux	28960	2678	1299
Beam Diameter		Ø 0.8' (~0.2m)	Ø 2.6' (~0.8m)	Ø 4.1' (~1.2m)



Flood



Distance		3' (~0.9 m)	10' (~3.0 m)	15' (~4.6 m)
@3200K	fc	546	54	29
	lux	5876	578	314
@5600K	fc	564	55	30
	lux	6071	597	324
Beam Diameter		Ø 2.2' (~0.7m)	Ø 7.4' (~2.3m)	Ø 11.4' (~3.5m)



ACCESSORIES

(specify finish by adding -BK or -WH)



**6x8 Softbox
FLXP3-6x8SB**